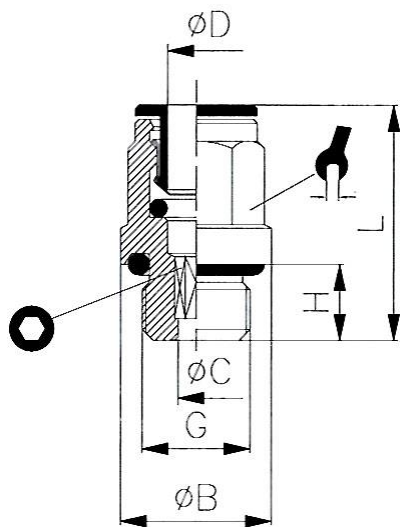




Low-priced yet very high-quality series of push-in fittings made of nickel-plated brass. Compact, space-saving, lightweight design. An O-ring in the fillet at the end of the thread guarantees a tight connection for all male thread parts, even on rough surfaces.

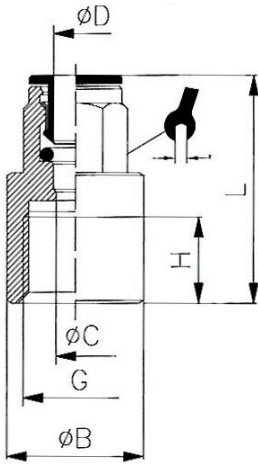
Material	Nickel-plated brass
Sealant	NBR, silicone-free
Collet	Stainless steel AISI 316
Working pressure	-0.98 bar to 16 bar
Operating temperature	-20 °C to 80 °C
Recommended hose:	PA, PU



45.014-8-E


Male connector with male thread

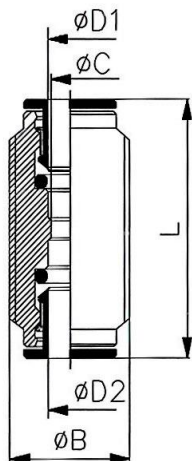
Art. No.	Type No.	ØD	G	ØC	ØB	H	L			Pressure ring
115912	45.005-4-E	4.0	M5	2.6	9.0	4.0	20.5	-	3	Hostaform
115913	45.005-6-E	6.0	M5	2.6	10.5	4.0	22.5	-	3	Hostaform
115920	45.018-4-E	4.0	G 1/8	2.6	13.5	6.0	20.0	9	3	Hostaform
115921	45.018-6-E	6.0	G 1/8	4.2	13.5	6.0	24.0	11	4	Hostaform
115922	45.018-8-E	8.0	G 1/8	5.0	13.0	6.0	26.5	13	5	Hostaform
115917	45.014-4-E	4.0	G 1/4	2.6	17.0	8.0	21.0	9	3	Hostaform
115918	45.014-6-E	6.0	G 1/4	5.0	17.0	8.0	24.0	11	4	Hostaform
115919	45.014-8-E	8.0	G 1/4	6.2	17.0	8.0	25.0	13	6	Hostaform
115916	45.014-10-E	10.0	G 1/4	7.3	16.0	8.0	29.5	16	7	Nickel-plated brass, black
115925	45.038-8-E	8.0	G 3/8	6.2	20.0	9.0	25.0	13	6	Hostaform
115923	45.038-10-E	10.0	G 3/8	8.3	21.0	9.0	29.5	16	8	Nickel-plated brass, black
115924	45.038-12-E	12.0	G 3/8	10.3	21.0	9.0	31.0	18	10	Hostaform
115914	45.012-10-E	10.0	G 1/2	8.2	24.0	11.0	30.0	16	8	Nickel-plated brass, black
115915	45.012-12-E	12.0	G 1/2	10.3	24.0	11.0	31.0	18	10	Hostaform



46.014-8-E

Female connector with female thread

Art. No.	Type No.	ØD	G	ØC	ØB	H	L		Pressure ring
115929	46.018-4-E	4.0	G 1/8	3.0	11.0	6.0	26.5	9	Hostaform
115930	46.018-6-E	6.0	G 1/8	5.0	11.0	6.0	27.0	11	Hostaform
115931	46.018-8-E	8.0	G 1/8	7.0	11.0	6.0	28.0	13	Hostaform
115927	46.014-6-E	6.0	G 1/4	5.0	16.0	13.0	31.0	11	Hostaform
115928	46.014-8-E	8.0	G 1/4	7.0	16.0	13.0	32.0	13	Hostaform
115926	46.014-10-E	10.0	G 1/4	9.0	16.0	13.0	32.0	16	Nickel-plated brass, black



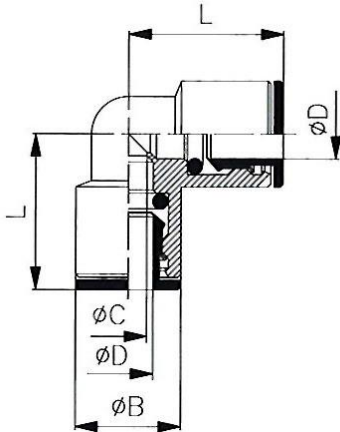
47.008-E

Union

Art. No.	Type No.	$\varnothing D1$	$\varnothing D$				
115932	47.004-E	4.0	4.0	3.0	9.0	32.0	Hostaform
115933	47.006-E	6.0	6.0	5.0	11.0	33.5	Hostaform
115934	47.008-E	8.0	8.0	7.0	13.0	38.0	Hostaform
115935	47.010-E	10.0	10.0	9.0	15.0	39.5	Nickel-plated brass, black
115936	47.012-E	12.0	12.0	11.0	17.0	42.0	Hostaform

Push-in fittings

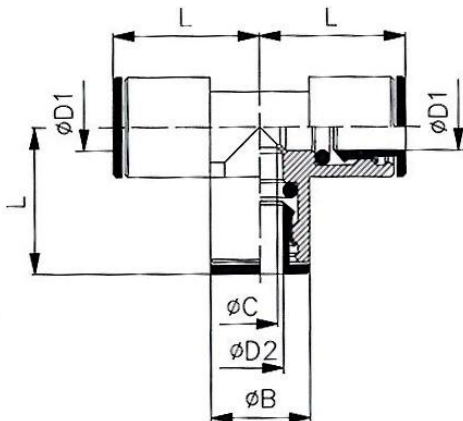
Nickel-plated brass, »value line« Series
Art. No. 115912 to 116303



48.008-E

Union elbow

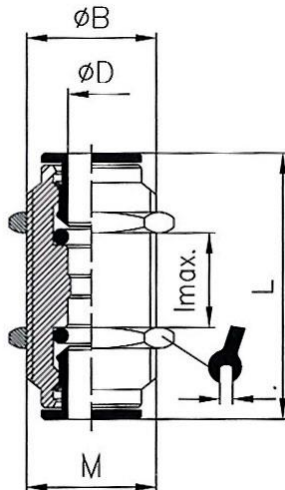
Art. No.	Type No.	ØD	ØC	ØB	L	Pressure ring
115937	48.004-E	4.0	3.0	9.0	17.5	Hostaform
115938	48.006-E	6.0	5.0	11.0	19.5	Hostaform
115939	48.008-E	8.0	7.0	13.0	23.0	Hostaform
115940	48.010-E	10.0	8.0	15.0	25.0	Nickel-plated brass, black
115941	48.012-E	12.0	10.0	17.0	27.0	Hostaform



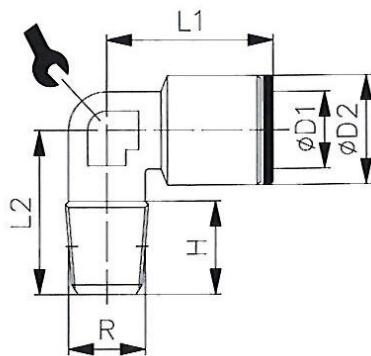
49.008-E


Union tee

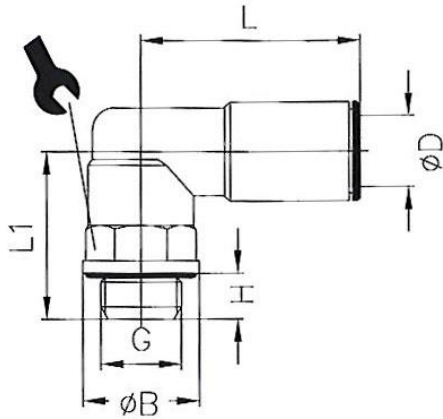
Art. No.	Type No.	ØD1	ØD2	ØC	ØB	L	Pressure ring
115942	49.004-E	4.0	4.0	3.0	9.0	17.5	Hostaform
115943	49.006-E	6.0	6.0	5.0	11.0	19.5	Hostaform
115944	49.008-E	8.0	8.0	7.0	13.0	23.0	Hostaform
115945	49.010-E	10.0	10.0	8.0	15.0	25.0	Nickel-plated brass, black
115946	49.012-E	12.0	12.0	10.0	17.0	27.0	Hostaform


51.016-8-E
Bulkhead connector

Art. No.	Type No.	ØD	ØC	M	lmax.	L		Pressure ring
115947	51.012-4-E	4.0	3.0	M 10x1	8.0	32.0	13	Hostaform
115948	51.014-6-E	6.0	5.0	M 14x1	8.0	33.5	17	Hostaform
115949	51.016-8-E	8.0	7.0	M 16x1	10.0	37.0	18	Hostaform
115950	51.020-10-E	10.0	9.0	M 17x1	12.0	39.5	20	Nickel-plated brass, black
115951	51.022-12-E	12.0	11.0	M 20x1	17.0	42.0	24	Hostaform



52.014-8-E
Male elbow, conical male thread

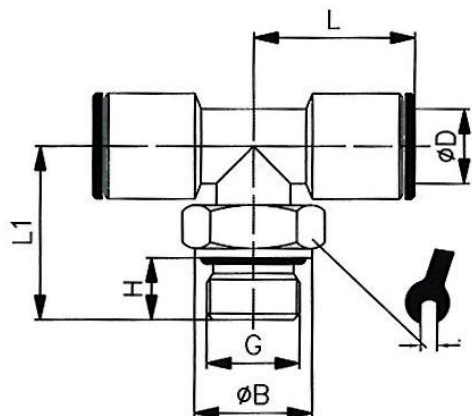
Art. No.	Type No.	ØD1	R	ØD2	H	L1	L2		Pressure ring
116196	52.018-4-E	4.0	1/8	9.0	8.0	16.1	17.5	10	Hostaform
116197	52.018-6-E	6.0	1/8	11.0	9.0	20.0	17.5	10	Hostaform
116198	52.018-8-E	8.0	1/8	13.0	10.0	24.0	18.5	10	Hostaform
116194	52.014-6-E	6.0	1/4	11.0	12.0	23.0	22.0	12	Hostaform
116195	52.014-8-E	8.0	1/4	13.0	12.0	24.0	22.0	12	Hostaform
116193	52.014-10-E	10.0	1/4	15.0	12.0	24.0	22.0	14	Nickel-plated brass, black



54.014-8-E


Male elbow, swivel type, parallel male thread

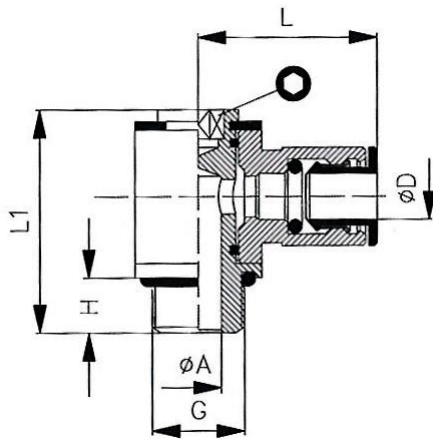
Art. No.	Type N.	ØD	G	ØB	H	L	L1		Pressure ring
116199	54.005-4-E	4.0	M5	8.0	4.0	19.0	14.5	9	Hostaform
116200	54.005-6-E	6.0	M5	8.0	4.0	21.0	14.5	9	Hostaform
116207	54.018-4-E	4.0	G 1/8	13.0	6.0	19.0	20.0	13	Hostaform
116208	54.018-6-E	6.0	G 1/8	13.0	6.0	21.0	20.0	13	Hostaform
116209	54.018-8-E	8.0	G 1/8	13.0	6.0	24.0	20.0	13	Hostaform
116204	54.014-4-E	4.0	G 1/4	16.0	8.0	19.0	24.0	13	Hostaform
116205	54.014-6-E	6.0	G 1/4	16.0	8.0	21.0	24.0	13	Hostaform
116206	54.014-8-E	8.0	G 1/4	16.0	8.0	24.0	24.0	13	Hostaform
116203	54.014-10-E	10.0	G 1/4	16.0	8.0	27.0	24.0	16	Nickel-plated brass, black
116212	54.038-8-E	8.0	G 3/8	20.0	9.0	24.0	25.5	13	Hostaform
116210	54.038-10-E	10.0	G 3/8	20.0	9.0	27.0	28.0	16	Nickel-plated brass, black
116211	54.038-12-E	12.0	G 3/8	20.0	9.0	28.0	28.5	20	Nickel-plated brass, black
116201	54.012-10-E	10.0	G 1/2	25.0	11.0	27.0	30.0	16	Nickel-plated brass, black
116202	54.012-12-E	12.0	G 1/2	25.0	11.0	28.0	33.5	20	Nickel-plated brass, black



55.014-8-E

Male branch tee, swivel type, parallel male thread

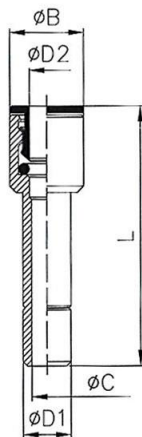
Art. No.	Type No.	ØD	G	ØB	H	L	L1		Pressure ring
116216	55.018-4-E	4.0	G 1/8	13.0	6.0	17.5	18.5	13	Hostaform
116217	55.018-6-E	6.0	G 1/8	13.0	6.0	21.0	18.5	13	Hostaform
116218	55.018-8-E	8.0	G 1/8	13.0	6.0	23.0	20.5	13	Hostaform
116214	55.014-6-E	6.0	G 1/4	16.0	8.0	21.0	22.5	13	Hostaform
116215	55.014-8-E	8.0	G 1/4	16.0	8.0	23.0	22.5	13	Hostaform
116213	55.014-10-E	10.0	G 1/4	16.0	8.0	25.5	24.5	16	Nickel-plated brass, black



56.014-8-E

Banjo elbow, swivel type, parallel male thread

Art. No.	Type No.	ØD	G	ØA	H	L1	L	○	Pressure ring
116275	56.005-4-E	4.0	M5	2.0	4.0	17.0	18.5	2	Hostaform
116278	56.018-4-E	4.0	G 1/8	5.5	6.0	25.0	21.0	3	Hostaform
116279	56.018-6-E	6.0	G 1/8	5.5	6.0	25.0	23.5	3	Hostaform
116280	56.018-8-E	8.0	G 1/8	5.5	6.0	25.0	24.5	3	Hostaform
116276	56.014-6-E	6.0	G 1/4	7.8	8.0	29.3	24.5	4	Hostaform
116277	56.014-8-E	8.0	G 1/4	7.8	8.0	29.3	26.0	4	Hostaform

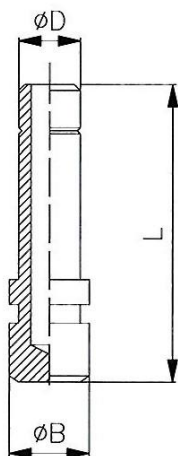


57.0604-E

Reducer

Only recommended for use in combination with quick-connect fittings of the »value line«series. The suitability test for use with other series is the responsibility of the user.

Art. No.	Type No.	ØD1	ØD2	ØC	ØB	L	Pressure ring
116295	57.0604-E	6.0	4.0	3.0	9.0	30.5	Hostaform
116296	57.0806-E	8.0	6.0	5.0	10.5	33.5	Hostaform
116297	57.1006-E	10.0	6.0	5.0	10.5	37.5	Nickel-plated brass, black
116298	57.1008-E	10.0	8.0	7.0	13.0	38.0	Nickel-plated brass, black



58.006-E

Plug

Only recommended for use in combination with quick-connect fittings of the »value line« series. The suitability test for use with other series is the responsibility of the user.

Art. No.	Type No.	ØD	ØB	L
116299	58.004-E	4,0	5,0	25,5
116300	58.006-E	6,0	7,0	27,5
116301	58.008-E	8,0	9,0	30,5
116302	58.010-E	10,0	11,0	35,0
116303	58.012-E	12,0	13,0	37,0
129490	58.014-E	14,0	15,0	39,5